

# Square Corner Cabinet Installation Instructions

**CAUTION:** Never use nails to mount cabinets. The use of nails may void your factory warranty, written or implied.

## Parts Included:

- Square Corner Cabinet
- Filler - (Shipped on underside of cabinet)
- Blind Panel - (Shipped on underside of cabinet)

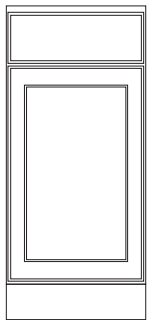
## Materials Needed

- #6 x 1/2" Flat Head Screws
- 2 1/2" Trim Head or Flat Head Wood Screws
- 2 1/2" Round Washer Head Screws

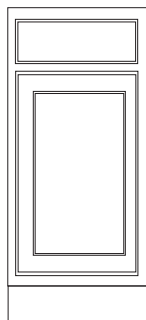


## Square Corner Cabinet Information:

	Min. Pull	Min. Pull w/Hardware	Max. Pull	Min. Filler Required	Min. Filler Required w/Hardware
<b>1 1/4" Overlay</b>	3/4"	2 1/4"	12 1/2"	1"	2 1/2"
<b>7/16" Overlay</b>	1/4"	1 3/4"	12 1/2"	1/2"	2"



Full Overlay



Partial Overlay

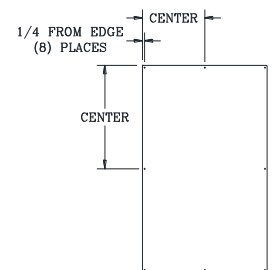
**NOTE:** To determine your cabinet's overlay, reference left image showing door & drawer front coverage of face frame

## Step 1: Inspect and Preparation

Follow Wall and Base Cabinet instructions for cabinet inspection and preparing and marking the walls for cabinet installation. Install all wall cabinets before installing the SCB corner cabinet.

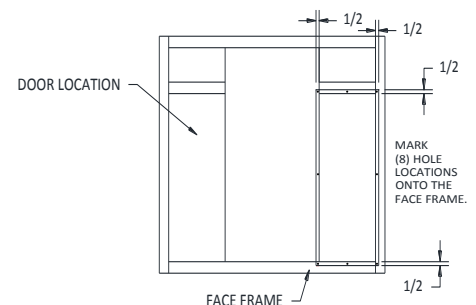
## Step 2: Blind Panel Preparation

Locate and remove the blind panel and filler from the underside of the cabinet. Set filler aside for later use. Trim blind panel so it covers the open side of the blind corner cabinet by 1/2" on all (4) sides of the opening. Mark (8) hole locations shown in the image to the right 1/4" from the edges of the blind panel. Pre-drill the (8) marked locations with a 3/32" diameter drill bit.



## Step 3: Blind Panel Installation

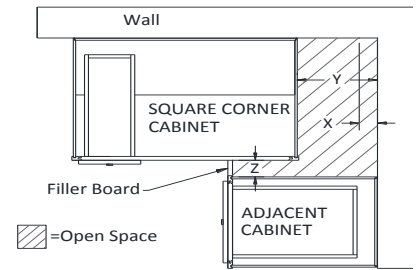
On the square corner opening side of the face frame (opening without the door attached), mark lines onto the face frame 1/2" from the edge of the door opening. This will locate the blind panel for attachment. Place pre-drilled blind panel onto face frame and mark the pre-drilled hole locations from the blind panel onto the face frame. Remove blind panel and pre-drill face frame with a 3/32" diameter drill bit in all (8) locations, 1/2" deep. Attach blind panel to face frame using (8) #6 x 1/2" flat head screws.



**NOTE:** Door can be placed on either side of the cabinet depending on design needs.

## STEP 4: Begin Square Corner Cabinet Installation

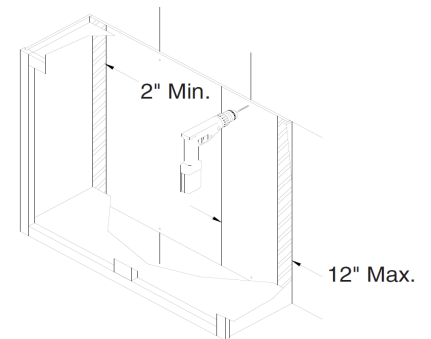
Position the square corner cabinet and the adjacent cabinet in place with reference to the filler and pull specification table on page 1. Setting the appropriate amount of pull is critical for a successful installation. Confirm the square corner cabinet is sitting level and plumb. If needed, add shims to level. Remove adjacent cabinet to allow room for install.



## STEP 5: Complete Square Corner Cabinet Installation

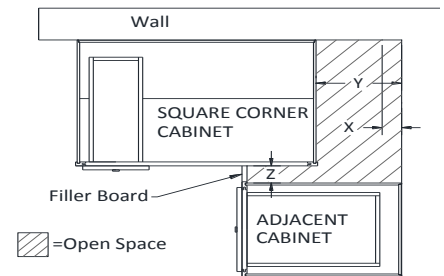
Locate predetermined wall studs and transfer marks to the inside of the cabinet. Drill through the cabinet back and into the wall stud with a 3/32" diameter drill bit, approximately 2" deep. The holes should come no closer than 2" to any inside vertical edge of the cabinet. Insert the 2 1/2" round washer head screws into the holes until they are nearly tight. Check to ensure the cabinet remained level and plumb. Adjust as needed before fully tightening the screws.

**NOTE:** Never use nails to mount cabinets. The use of nails may void your factory warranty, written or implied.



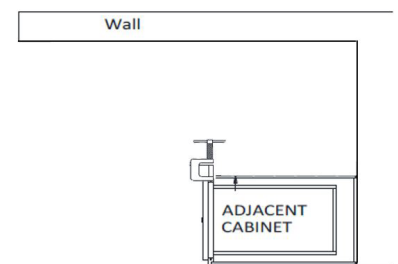
## STEP 6: Determine Filler Width

Following your design layout, place the adjacent cabinet next to the square corner base cabinet that has been installed. The width of the filler, Z, can now be determined in accordance with the specification table on page 1 and your design layout. Rip filler to desired width if necessary.



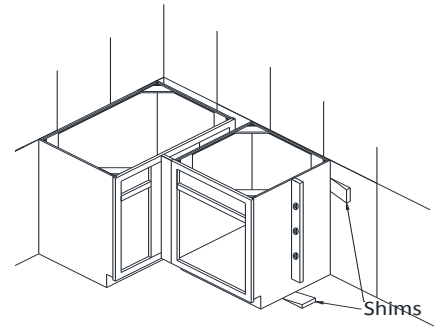
## STEP 7: Filler Installation

With the filler at the desired width, clamp filler to the appropriate side of the adjacent cabinet face frame. Align the filler vertically to the frame and ensure the face of the filler is flush with the face of the frame. Drill two 3/32" diameter holes through the face frame and into the filler near the top and bottom. Then, insert and tighten 2 1/2" trim head or flat head wood screws to fasten the filler to the adjacent cabinet frame. (NOTE: If filler width is less than one inch, use shorter screws).



## STEP 8: Adjacent Cabinet Installation

Position the adjacent cabinet and filler assembly in place. Check the cabinet to ensure it is both level and plumb using shims if necessary. Make sure the filler is properly aligned to the square corner cabinet face frame. Follow Step 5 to secure the adjacent cabinet to the wall.



---

## Step 9: Attach Square Corner to Filler/Adjacent Cabinet Assembly

After the adjacent cabinet has been secured to the wall, use clamps to securely join the cabinets together. Ensure the filler and adjacent cabinet assembly is still properly aligned to the square corner cabinet. Mark two locations on the inside of the square corner cabinet face frame that coincides with the center of the filler. Drill two 3/32" diameter holes through the square corner cabinet face frame and into the filler near the top and bottom. Then, insert and tighten 2 1/2" trim head or flat head wood screws to fasten the filler and adjacent cabinet to the square corner cabinet

