

# Instructions for Roll Tray Kit

RT18-RT24

## Parts Included:

- (1) Roll Tray with Slides Attached
- (1) Pair of Cabinet Member Slides
- (2) Mounting Blocks
- (2) 1/8" Snap-on Spacers
- (4) #6 x 5/8" Wood Screws
- (2) #10 x 2 1/2" Wood Screws
- (1) RTBP Kit (Includes bumpers & #6 screws)

## Tools Needed:

- Phillips Head Screwdriver
- Tape Measure
- Drill
- 3/32" Drill Bit
- 1/8" Drill Bit
- 5/16" Drill Bit
- Marking Tool

## STEP 1

### Pre-Drill Face Frame

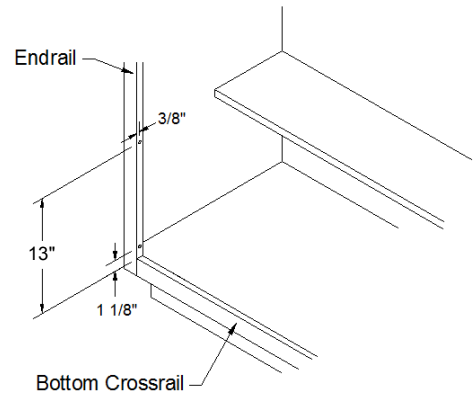
Remove the doors from the cabinet. Measure up from the top of the bottom cross rail of the cabinet face frame to the dimensions below. Make a mark on inside of the end rail at that location. At that mark measure from the outside of the face frame back 3/8" and mark. Where the two marks intersect, predrill a 1/2" deep by 1/8" diameter hole. Repeat step on opposite side of face frame opening.

### Installation to Bottom of Cabinet:

- Measure up 1 1/8"

### Installation Above Adjustable Shelf:

- Measure up 13"



## STEP 2

### Prepare Cabinet Member Slide

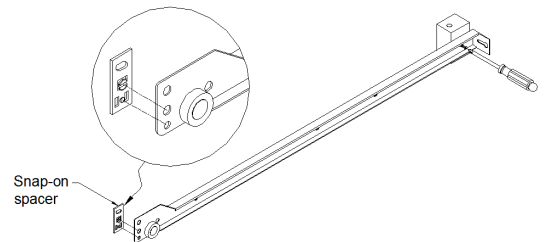
#### Installation to Bottom of Cabinet:

If your cabinet has pre-drilled holes in the back panel, install the cabinet members with back sockets into the pre-drilled holes.

If your cabinet does NOT have pre-drilled holes in the back panel, remove the back socket from the cabinet members. Attach cabinet member slide to mounting block with a #6 x 5/8" screw. Proceed to Step 3 for further instruction.

#### Installation Above Adjustable Shelf:

If your cabinet has pre-drilled holes in the back panel, install the cabinet members with back sockets into the pre-drilled holes. If your cabinet does NOT have pre-drilled holes in the back panel, keep back sockets installed on cabinet members and. Proceed to Step 3 for further instruction.



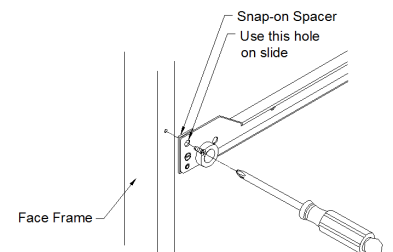
Make sure the slide is oriented as shown in the detail to the right. Snap 1/8" thick roll tray spacer onto cabinet member – as also shown in detail to the right. Repeat step for opposite cabinet member slide.

## STEP 3

### Installation of Cabinet Member Slide

#### Installation to Bottom of Cabinet:

Make sure the slide is oriented as shown in the detail to the right and that the screw is placed in the hole shown. Attach the front of the cabinet member slide and snap-on spacer to the face frame in the pre-drilled hole (refer to step 1) using a #6 x 5/8" screw. The spacer should be located between the face frame and the cabinet member slide. Repeat step for opposite cabinet member slide.



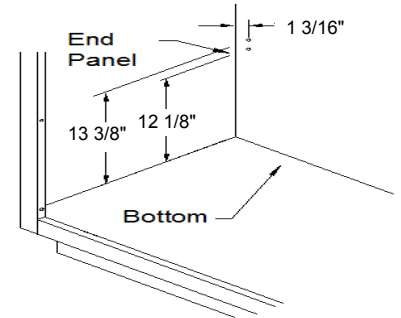
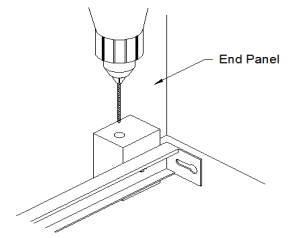
## STEP 3 cont.

If your cabinet does NOT have pre-drilled holes in the back panel, press and hold the back end of the cabinet member slide with the mounting block attached against the end panel. Using a 3/32" drill bit, pre-drill a hole through the cabinet bottom using the pre-drilled vertical hole on the mounting block as a guide. Make sure the block remains against the end panel or the roll tray will be too tight. Attach the mounting block to the bottom using a #10 x 2 1/2" screw. Repeat step for opposite cabinet member slide.

### Installation Above Adjustable Shelf:

If your cabinet does NOT have pre-drilled holes in the back panel, measure up from the bottom of the cabinet 12 1/8" and 13 3/8" and make a mark on the back of the cabinet. From the end panel, measure in 1 3/16" and mark. Where the two marks intersect, pre-drill a 5/16" diameter hole thru the back panel. Install cabinet member with the back socket in the pre-drilled holes. Repeat step for opposite cabinet member slide.

Make sure the slide is oriented as shown in the detail and that the screw is placed in the correct hole shown. Attach the front of the cabinet member slide and the spacer to the face frame in the pre-drilled hole (refer to step 1) using a #6 x 5/8" screw. The spacer should be located between the face frame and the cabinet member slide. Repeat step for opposite cabinet member slide.



## STEP 4

### Installation of Roll Tray Bumper Protector Kit

Place the bumper directly on top of the roll tray guide and along the edge of the roll tray front. Fasten the bumper to the roll tray with the #6 x 1/2" screw provided.

Slide the roll tray into the cabinet members located on the slide rail assemblies. Reattach the cabinet doors.

### Utility Cabinet Installation

If installing roll trays into a utility cabinet, please reference Steps 1-4 above. Once the desired roll tray mounting height(s) is/are determined, please adjust referenced dimensions to accommodate newly desired heights.

